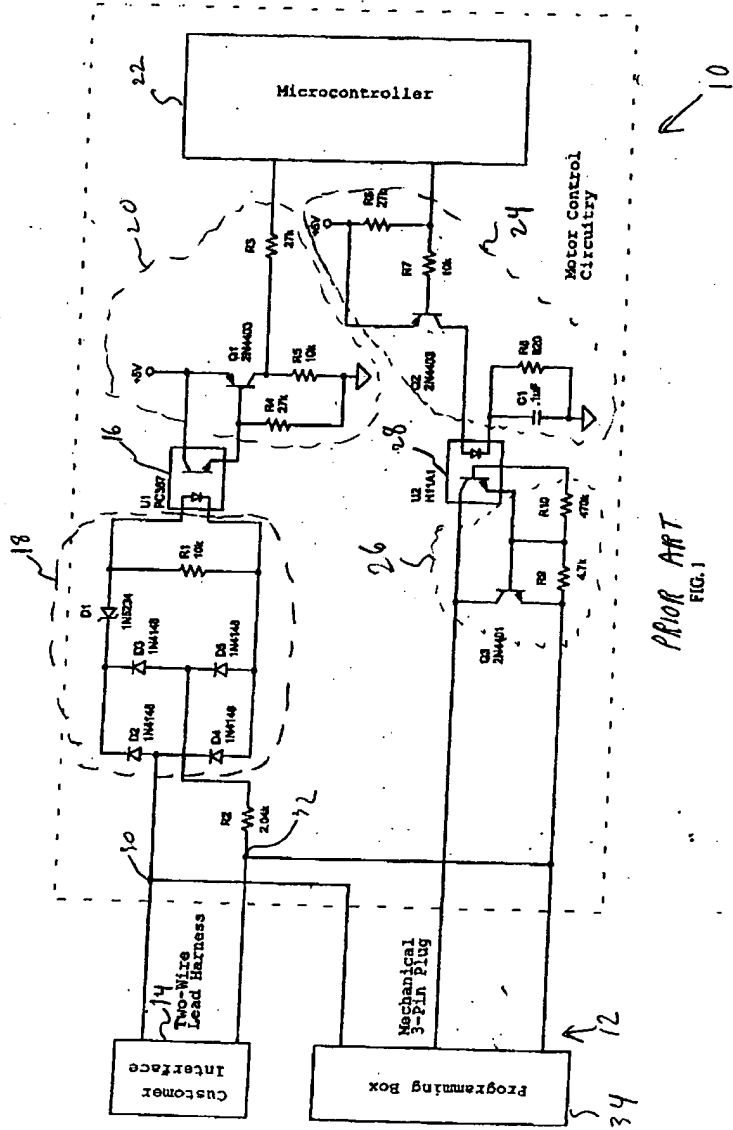


Figures

11/18/2010 10:10:10 AM

**THIS PAGE BLANK (USPTO)**

1/5



PRIOR ART  
FIG. 1

2/5

Copyright © 1999 by Motorola, Inc. All rights reserved.

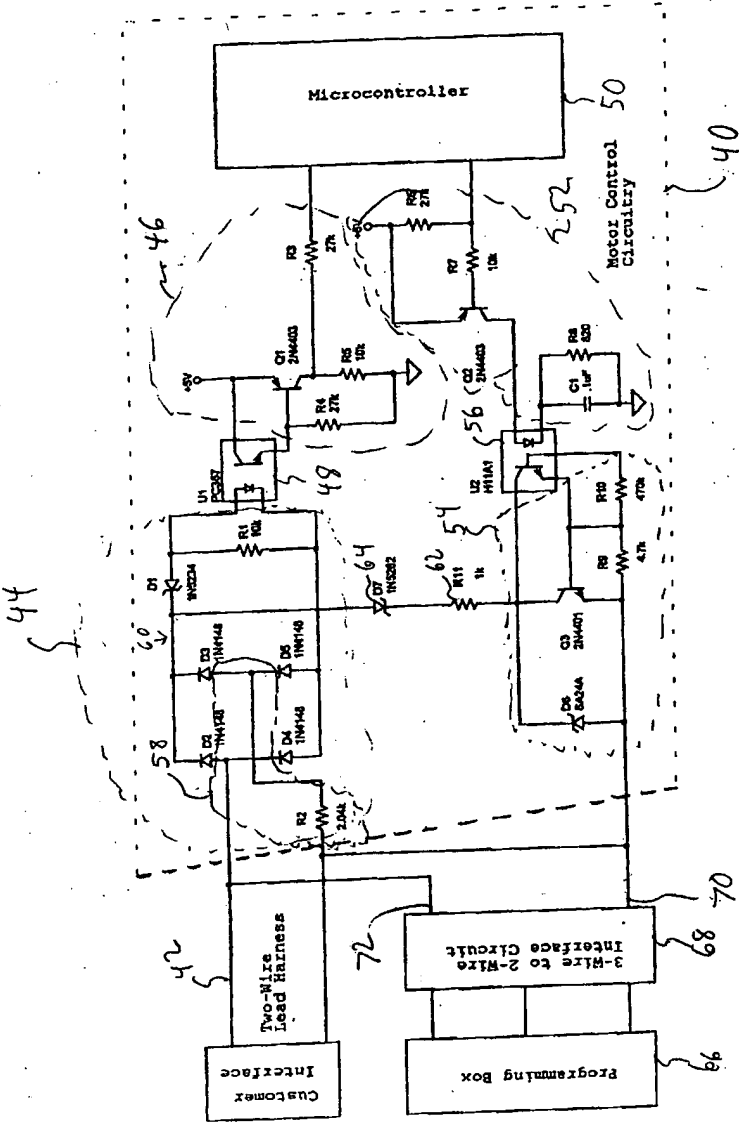


FIG. 2

3/5

89

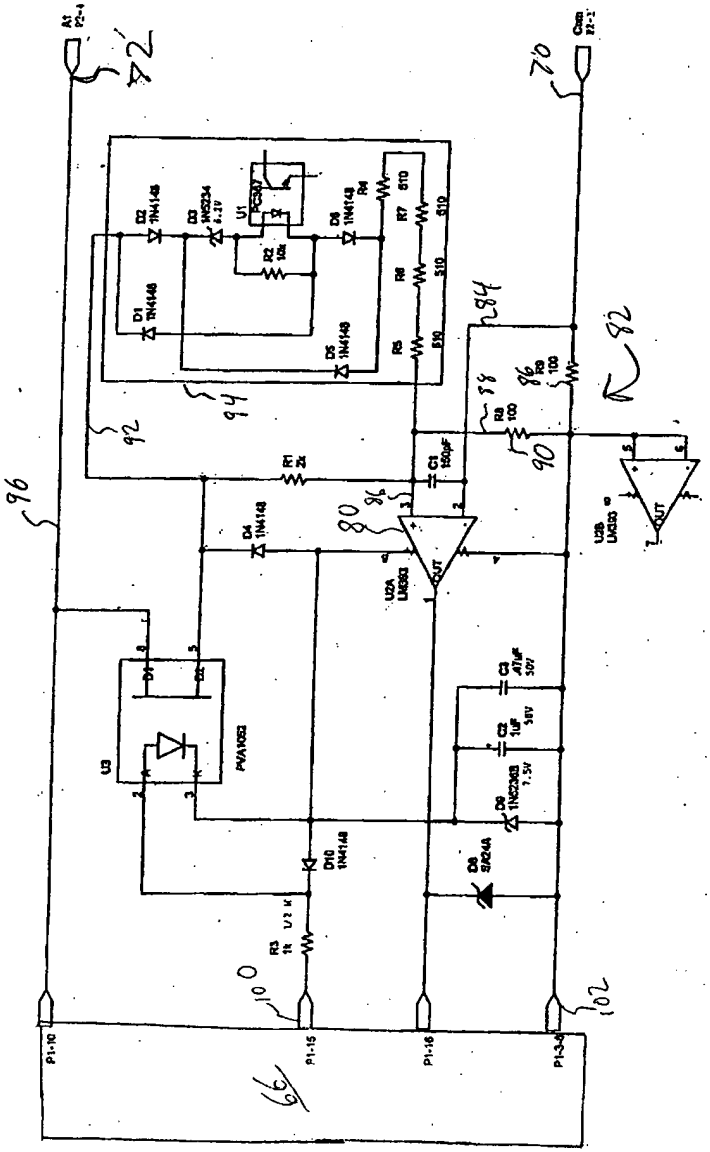


FIG. 3

FORWARDED TO THE BOARD

4/5

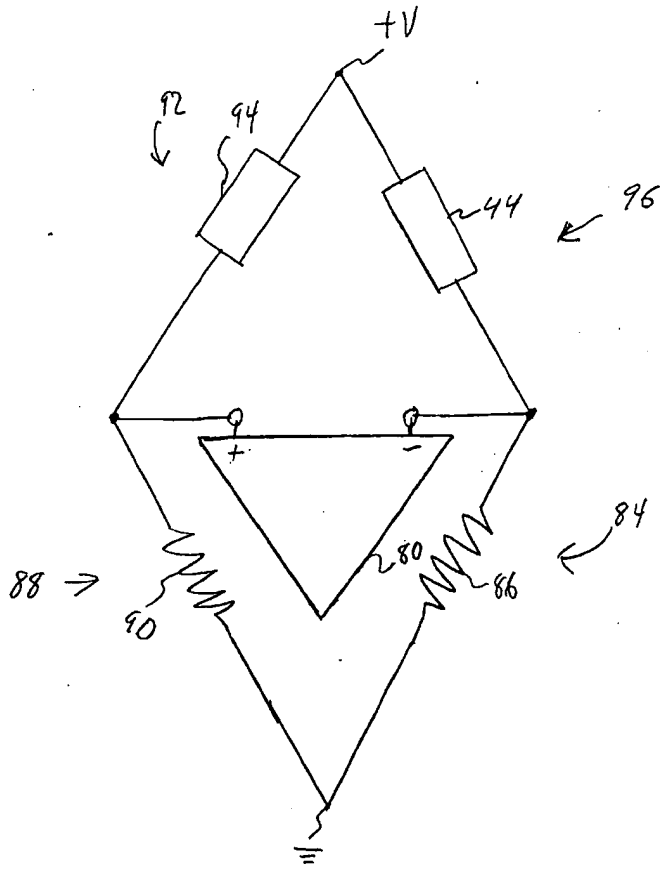


FIG. 4

5/5

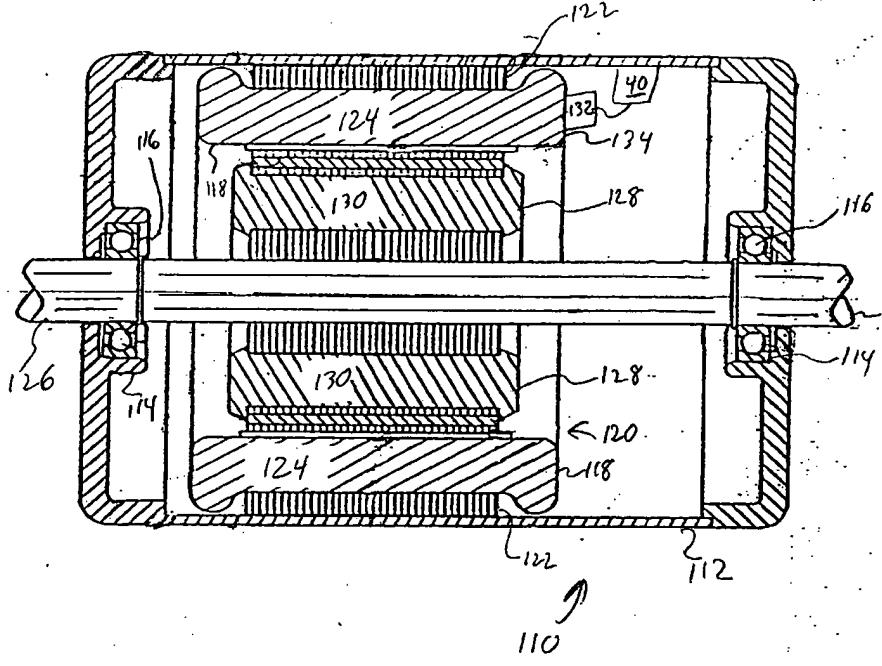


Fig 5

FORWARD BY TELETYPE